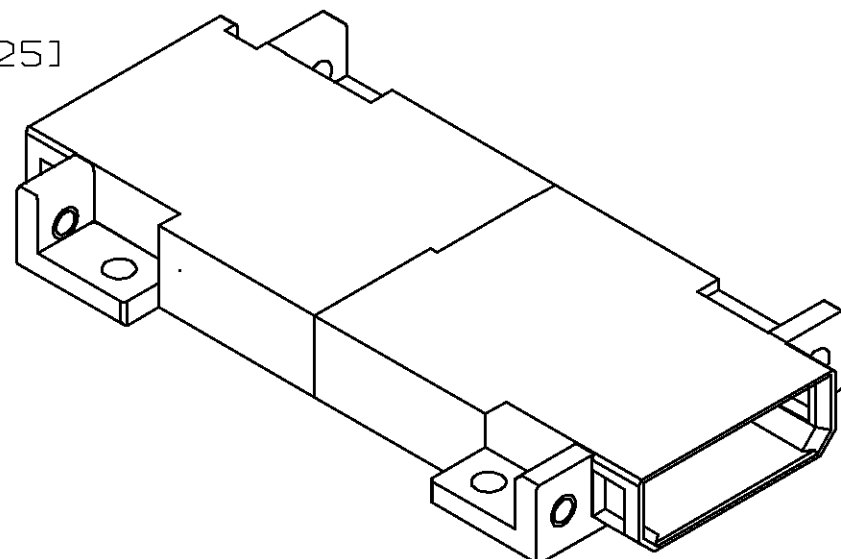
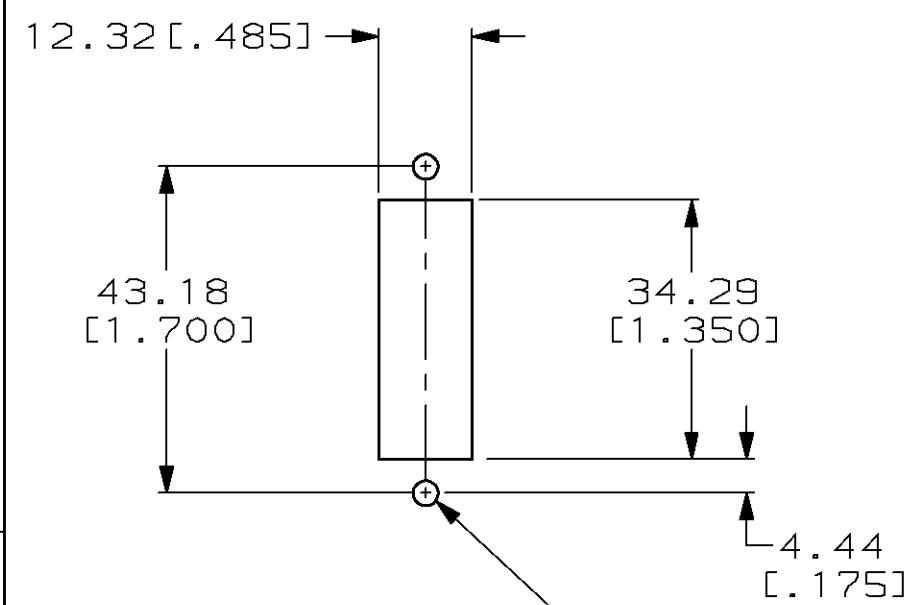
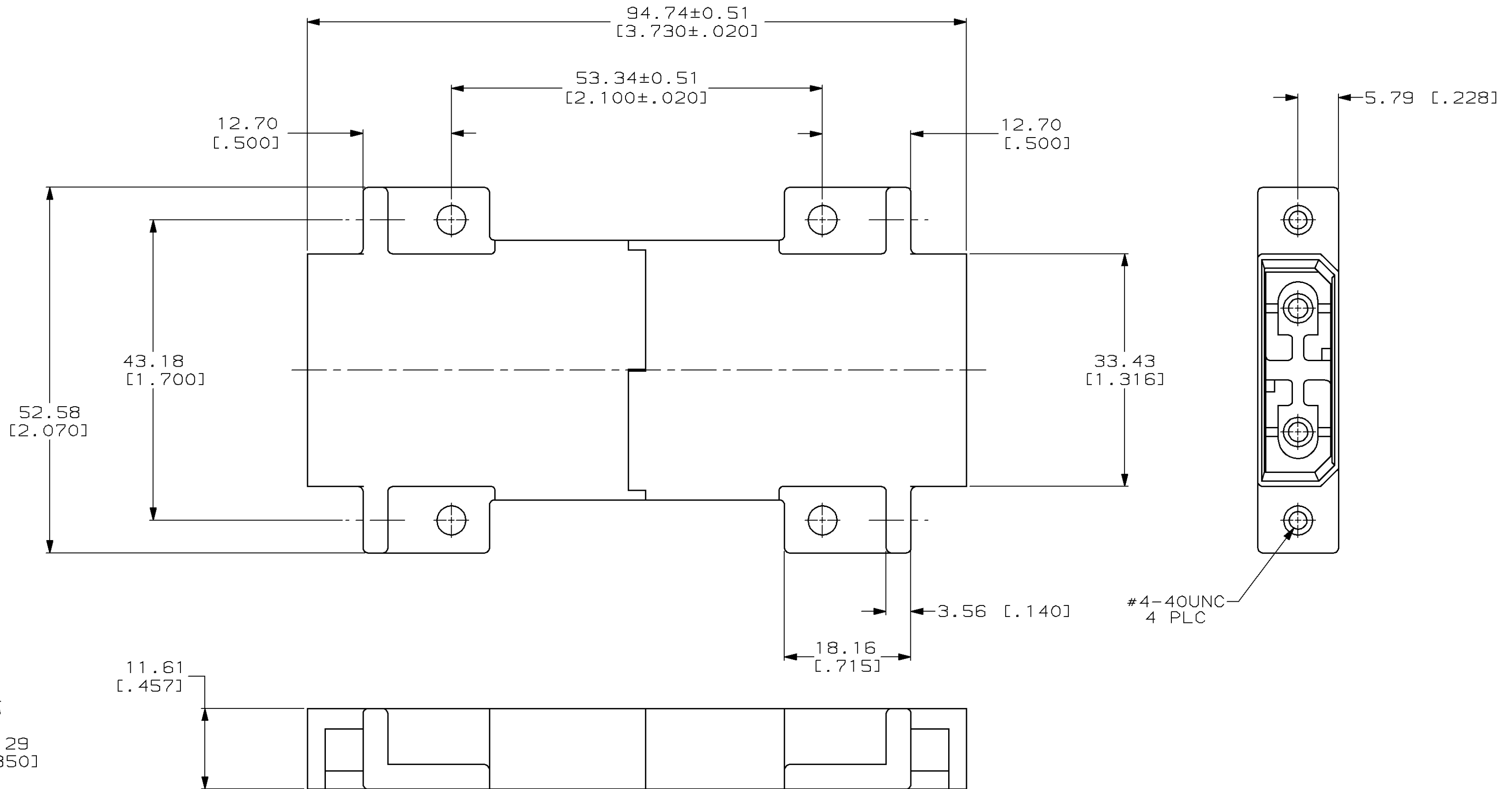


THIS DRAWING IS UNPUBLISHED. RELEASED FOR PUBLICATION
 © COPYRIGHT 19 BY AMP INCORPORATED. ALL RIGHTS RESERVED.

Loc		DIST		REVISIONS			
P	LTR	DESCRIPTION		DATE	DWN	APVD	
CE	16	D		REVISED PER EC 0A00-0477-97	07MAY97	TG SB	

1. DIMENSIONS IN [] ARE IN INCHES.



OBSOLETE	METAL	BLACK	502825-3
	CERAMIC	BLACK	502825-2
SUPERSEDED BY 502825-2		BEIGE	502825-1
	ALIGNMENT SLEEVE	COLOR	PART NUMBER

THIS DRAWING IS A CONTROLLED DOCUMENT.		DWN	20MAY91	AMP AMP Incorporated Harrisburg, PA 17105-3608
DIMENSIONS: mm		CHK	27APR92	
TOLERANCES UNLESS OTHERWISE SPECIFIED:		R. HILEMAN		NAME
0 PLC ±-		W. SAVITSKY		
1 PLC ±-		R. WEBER		COUPLING ASSEMBLY, WITH #4-40 THD INSERTS, RSD TO RSD
2 PLC ±0.13(.005)		APVD		
3 PLC ±-		PRODUCT SPEC		SIZE
4 PLC ±-		APPLICATION SPEC		CAGE CODE
ANGLES ±-		WEIGHT		DRAWING NO
FINISH -		CUSTOMER DRAWING		RESTRICTED TO
		SCALE 2:1		SHEET 1 OF 1
		REV D		

502825

B

A